



Detector Base

DZ03

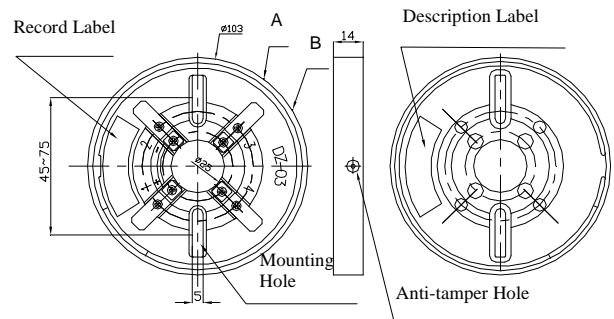
Description

DZ-03 Base is used to mount conventional and intelligent smoke, heat and combination detectors as their conductive base. It's made of flame-resistant plastic ABS, which is a UL94 listed material. It features attractive appearance, novel structure and stable performance. Its flame class is V-0. During installation, you can easily fix the base before connecting cables, and then twist the detector onto the base.

Technical Specifications

- According to Standard: UL268 and LPCB, GB4715-93
- Wiring: Polarized two-wire with power cable.
- Operating Environment:
Temperature: -10 °C +50 °C
Relative Humidity≤95% no condensation
- Dimension: Diameter;103mm Height;14mm
- Material and Color: ABS, ivory white
- Flame Class:V-0
- Weight: About 54g
- Mounting Hole Distance:45mm to 75mm

Diagram



Wiring and Connection

Refer to installation detectors manual.

Ordering Information



Part Number: DZ03
Description: GST Standard Base
Weight / Kg.: 0.059
Pack Qty. per Box: 100

MANUFACTURED IN ACCORDANCE WITH

